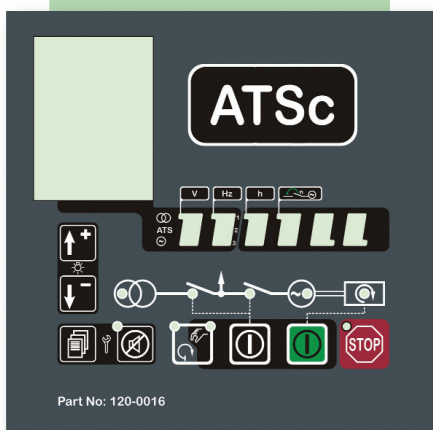


Performance is our prime objective

## Automatic Transfer System - Data sheet

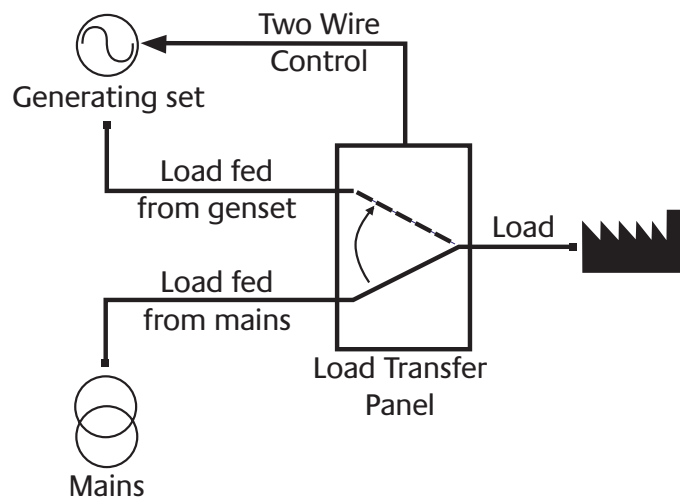


**The Automatic Transfer System** is used when Generating Sets are operating as standby to the Mains utility supply. The Gentec Energy system provides a compact, electronically controlled transfer of load to the Generating Set when Mains supply fails.

The controls have flexibility and a high level of functionality 24 hours per day working in conjunction with the Gentec Energy Load Transfer panel or motorised circuit breaker panels offering the following:-

- Automatic and manual operation for increased flexibility
- Simple network configurations
- All controls accessible from panel facia without opening of panel door

### Illustration of Load Transfer



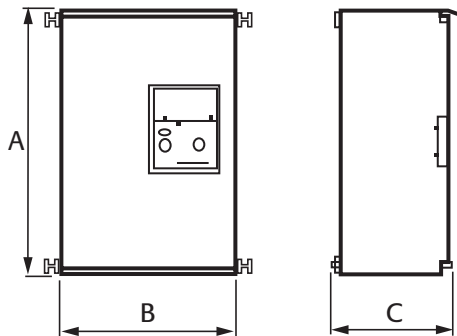
## Standard Features

- Control Pushbuttons
- Auto / Manual
- Load Control
- Alarm Mute
- Start
- Stop

## LEDs showing

- Mains Voltage OK
- Mains Voltage and Frequency not within limits
- Load transfer closed
- Generator Circuit Breaker closed
- Generator Voltage and Frequency OK
- Generator Voltage and Frequency not within limits
- Engine Running
- Alarm message present
- Automatic Operation
- Manual Operation
- Genset stopped

## Panel Weights and dimensions



Model	Rating	A mm (in)	B mm (in)	C mm (in)	Weight kg (lb)
ATI 63	63 Amps	600 (23.6)	400 (15.7)	248 (9.8)	21 (46.3)
ATI 100	100 Amps	600 (23.6)	400 (15.70)	248 (9.8)	21 (46.3)
ATI 125	125 Amps	600 (23.6)	400 (15.7)	248 (9.8)	21 (46.3)
ATI 250	250 Amps	900 (35.4)	600 (23.6)	323 (12.7)	39 (86.0)
ATI 400	400 Amps	900 (35.4)	600 (23.6)	323 (12.7)	44 (97.0)
ATI 630*	630 Amps	1100 (43.3)†	600 (23.6)	398 (15.7)	66 (145.5)
ATI 800*	800 Amps	1375 (54.1)	775 (30.5)	600 (23.6)	125 (275.6)
ATI 1000*	1000 Amps	1375 (54.1)	775 (30.5)	600 (23.6)	130 (286.6)
ATI 1250*	1250 Amps	1800 (70.8)	1005 (39.6)	775 (30.5)	230 (507.1)
ATI 1600*	1600 Amps	1800 (70.8)	1005 (39.6)	775 (30.5)	330 (727.7)

\*Floor standing

†Top cable entry model 1350 mm (53.1 in)